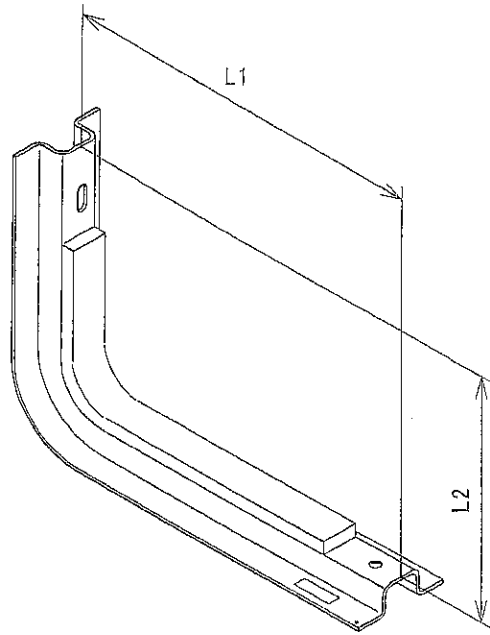
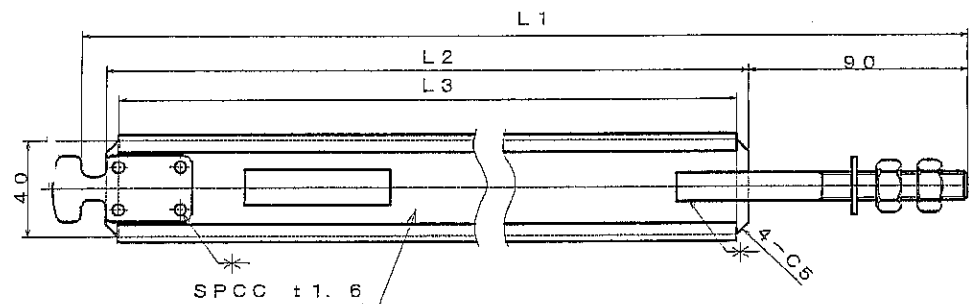


市販ステー 一覧



部品番号	部品名称	L1	L2	重量 (kg)
SST-HA15	HANGER	565	353	5.8
SST-HB15	HANGER	565	423	6.2
SST-HC20	HANGER	636	533	7.4
SST-HD10	HANGER	400	323	4.5
SST-HE10	HANGER	564	313	5.5
SST-HF30	HANGER	635	483	7.1
SST-HH20	HANGER	665	563	7.8
SST-HK19	HANGER	686	583	8.0
SST-HC30	HANGER	636	553	7.3
SST-HG30	HANGER	685	500	7.5
SST-HH30	HANGER	665	583	7.7
SST-HK40	HANGER	686	603	7.9

市販バンド 一覧



部品番号	部品名称	L1	L2	L3	重量 (kg)
SST-BA15	BAND ASSY	880	780	770	0.7
SST-BB15	BAND ASSY	950	850	840	0.8
SST-BC15	BAND ASSY	1130	1030	1020	0.9
SST-BC30	BAND ASSY	1150	1050	1040	0.9
SST-BD10	BAND ASSY	693	593	583	0.6
SST-BE10	BAND ASSY	840	740	730	0.7
SST-BF30	BAND ASSY	1080	980	970	0.9
SST-BG30	BAND ASSY	1105	1005	995	0.9
SST-BH20	BAND ASSY	1190	1090	1080	0.9
SST-BH30	BAND ASSY	1210	1110	1100	1.0
SST-BK19	BAND ASSY	1230	1130	1120	1.0
SST-BK40	BAND ASSY	1250	1150	1140	1.0